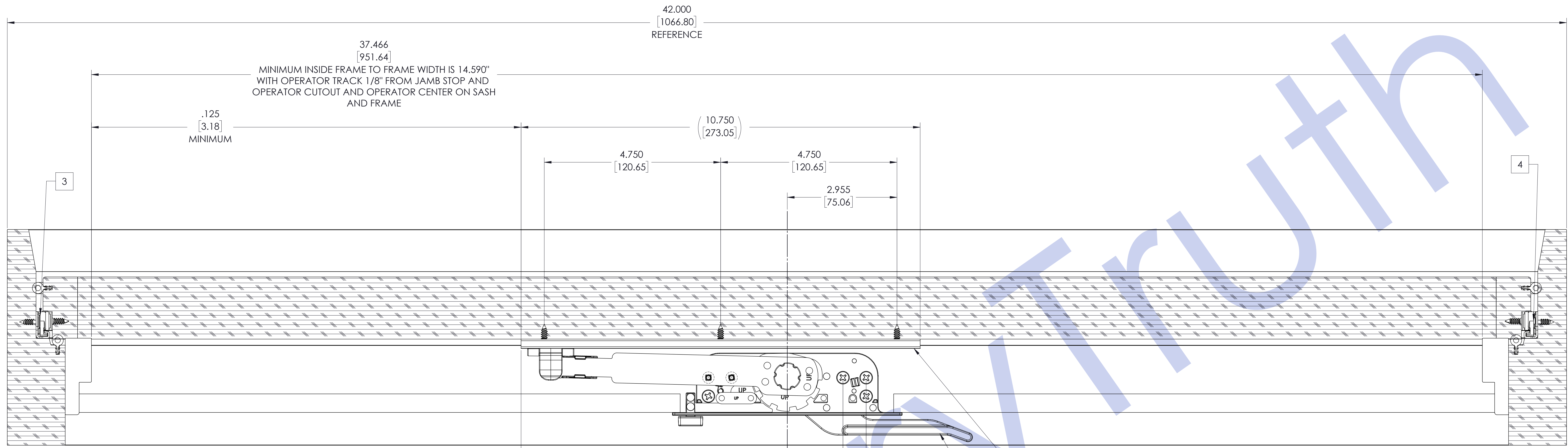
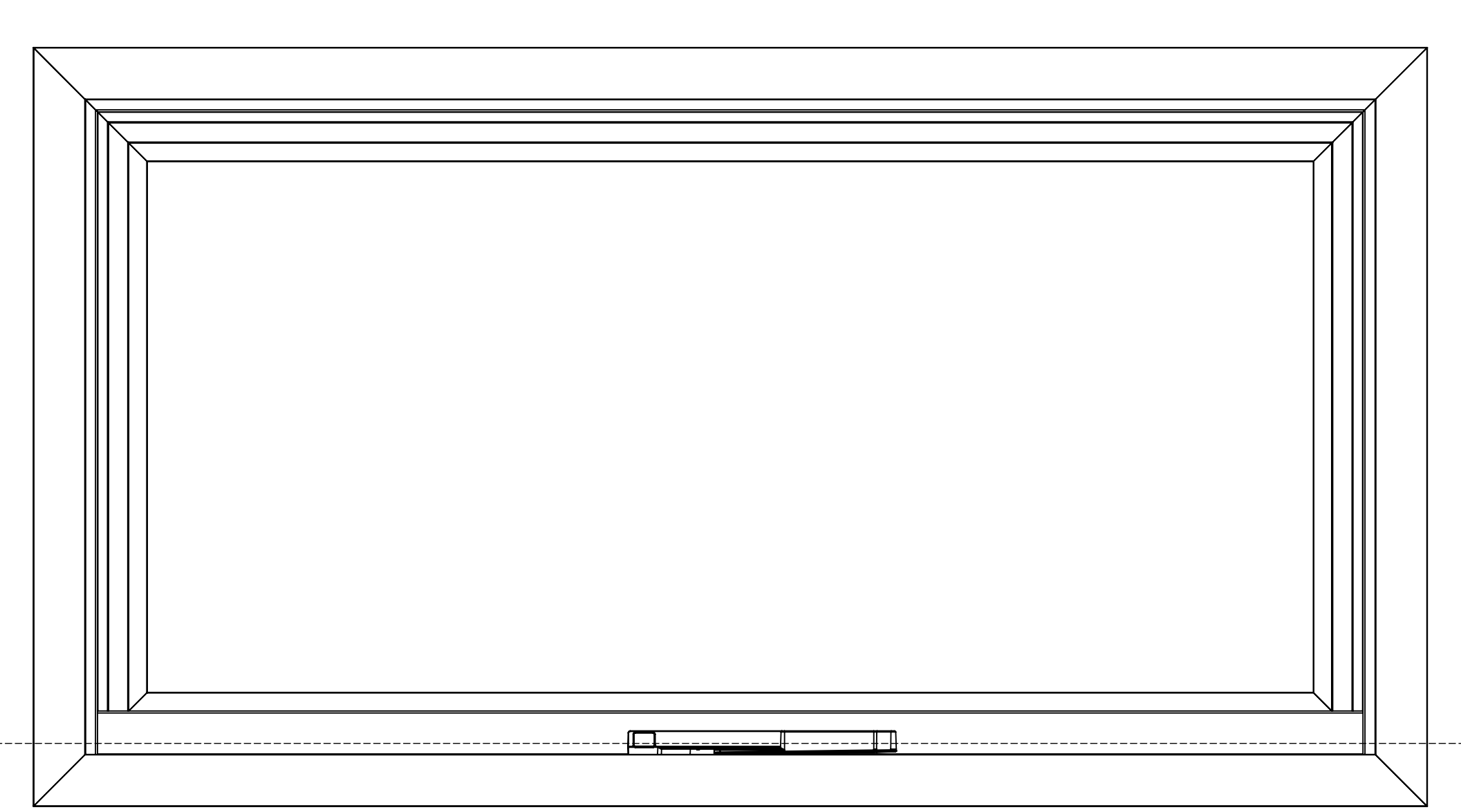
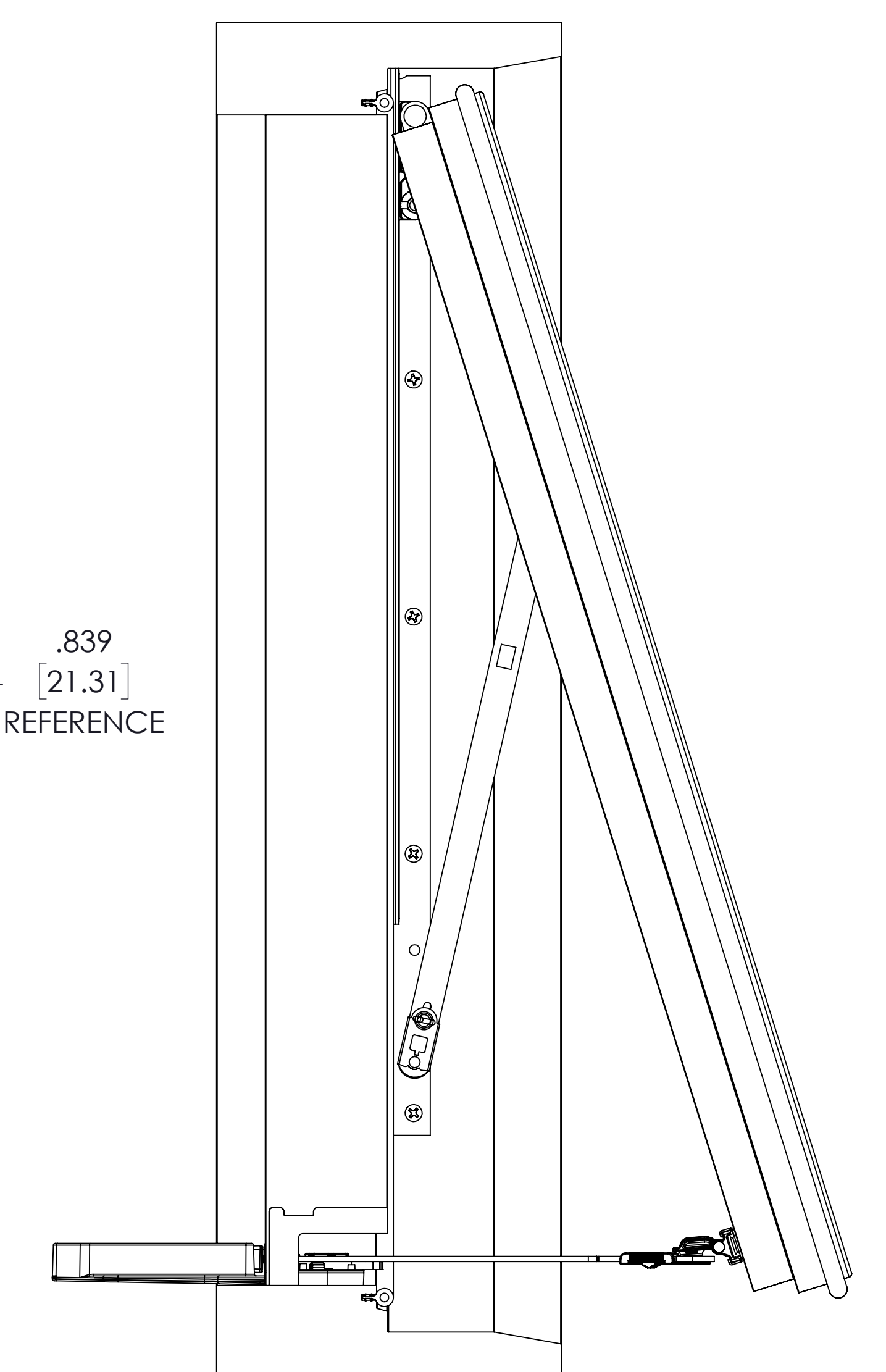
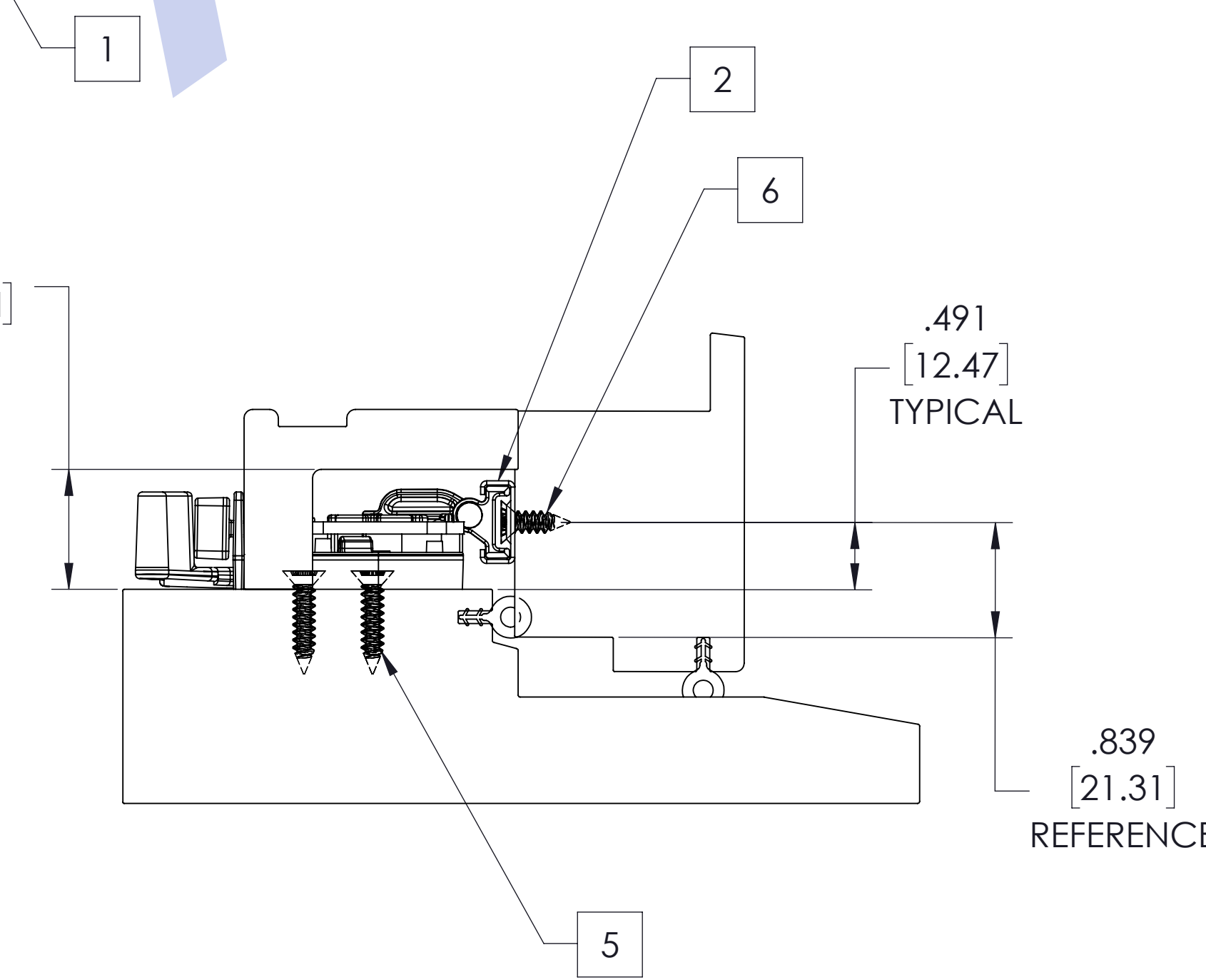
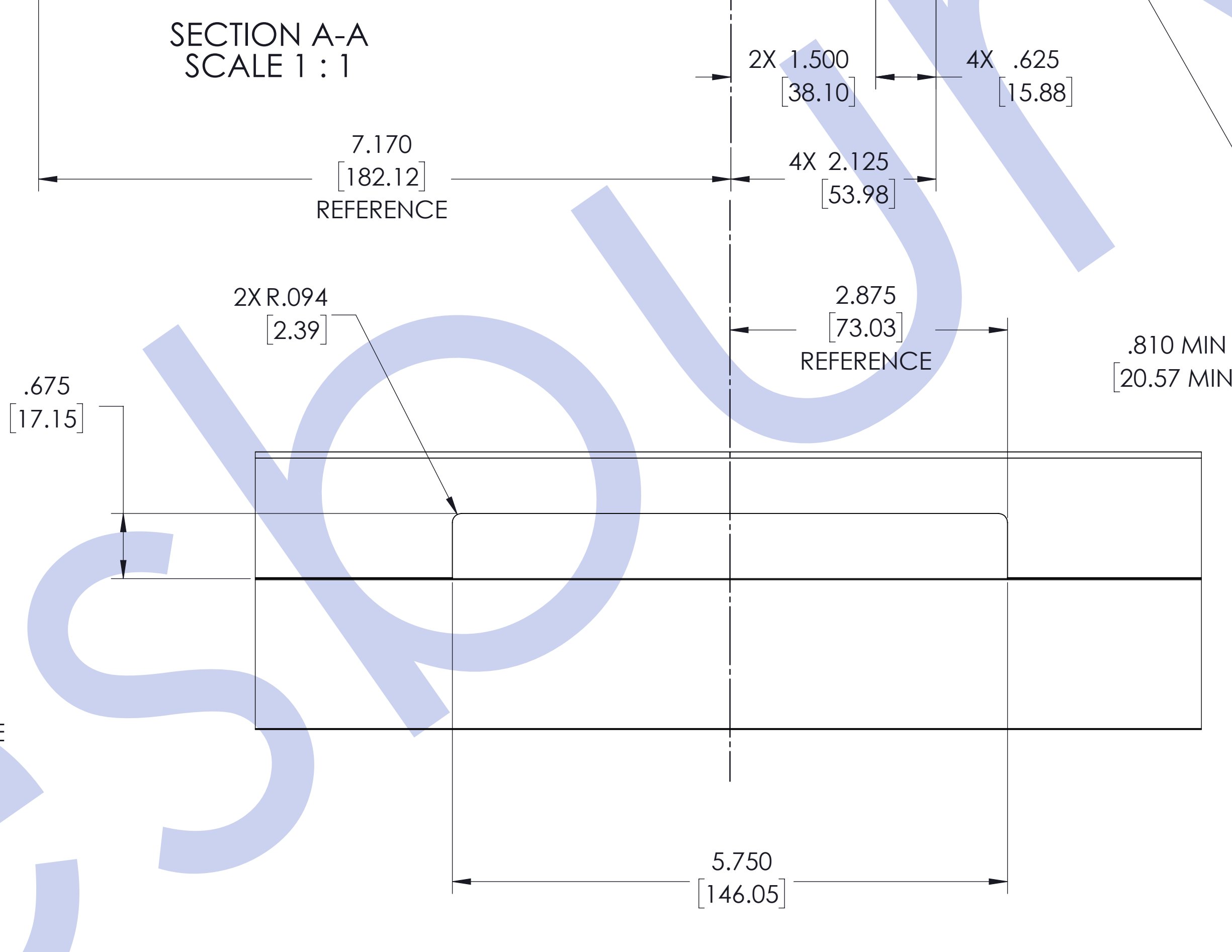
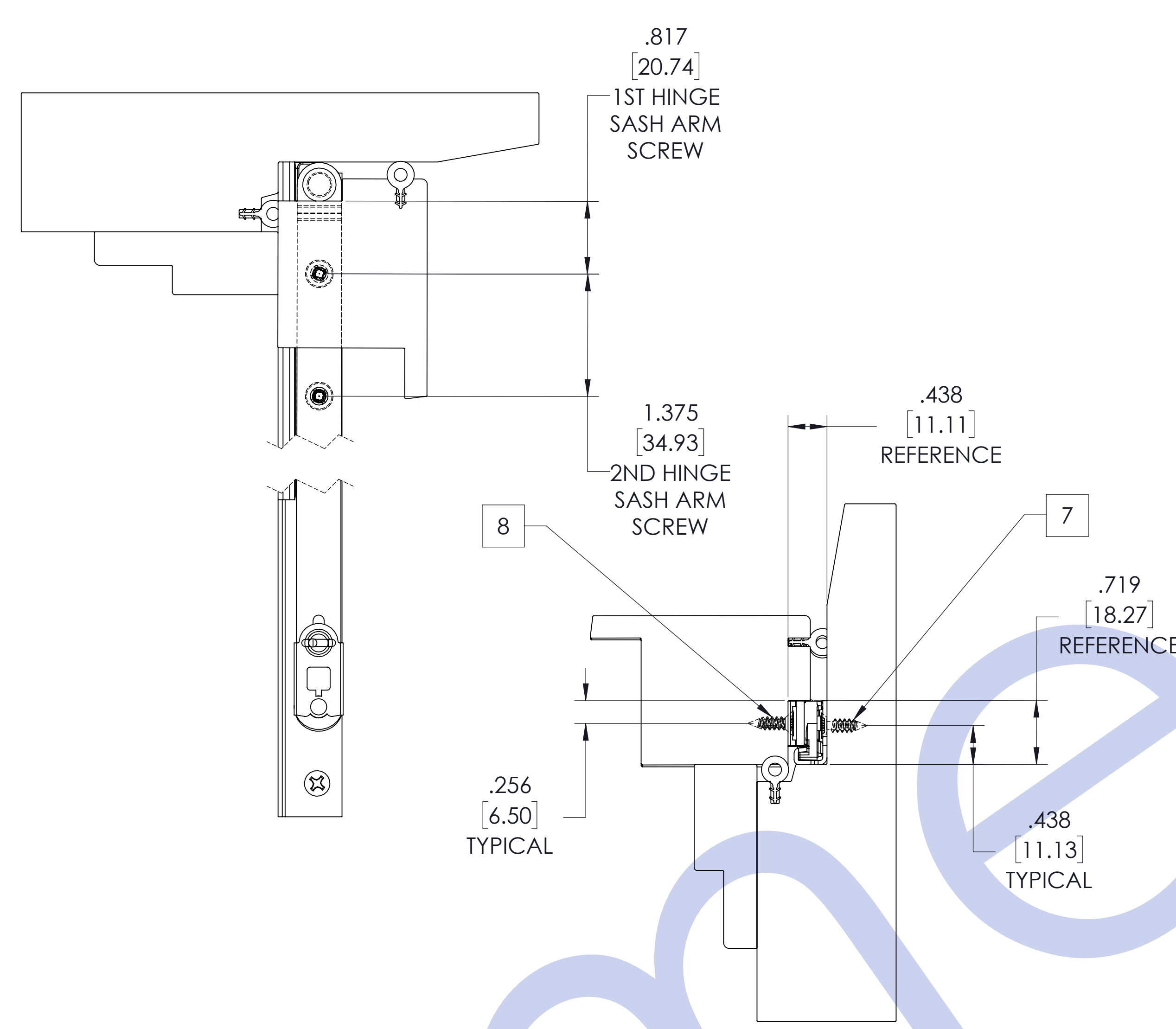


NO.	LOC.	HOW	DATE	BY
1		CREATED	12/30/2020	



SECTION A-A SCALE 1 : 1



ITEM NO.	PART NUMBER	DESCRIPTION	QTY.
1	65.03.XX.001	LEVER OPERATOR, AWNING	1
2	13649	TRACK/PIV SLIDER STD	1
3	13.15.00.235	HGE AWN 18" RH ASSY	1
4	13.15.00.234	HGE AWN 18" LH HINGE ASSY	1
5	19218.92	SCREW 8X3/4 PH FH SMS YZP	6
6	19147	SCREW 8X1/2 PH FH SMS SS18-8	3
7	19070	SCREW 7X1/2 PH FU SMS SS18-8	10
8	19080.92	SCREW 7X1/2 PH FH SMS YZP	8

TRUTH HARDWARE MAKES NO WARRANTY OR REPRESENTATION OF ANY KIND, EXPRESS OR IMPLIED, WITH RESPECT TO QUALITY, CONTENT, FORM, PERFORMANCE, FITNESS FOR PURPOSE, MERCHANTABILITY OR OTHERWISE OF THE APPLICATION DRAWINGS PROVIDED. THESE DRAWINGS ARE USED AT THE RECIPIENT'S OWN RISK AND TRUTH HARDWARE HAS AND SHALL HAVE NO RESPONSIBILITY FOR RECIPIENTS OR ANY THIRD PARTIES, USE OF THESE DRAWINGS OR ANY OF THE INFORMATION CONTAINED THEREIN. THE RECIPIENT AGREES TO INDEMNIFY, DEFEND, AND HOLD HARMLESS TRUTH HARDWARE AND ITS EMPLOYEES AND THEIR SUCCESSORS AND ASSIGNS FROM AND AGAINST ANY AND ALL CLAIMS, SUITS, LOSSES, DAMAGES OR COSTS INCURRED FROM USING THESE DRAWINGS OR ANY CONTENT THEREOF.

Amesbury Truth  
 700 West Bridge Street  
 Owatonna, MN 55060  
 Telephone 507-451-5620

DRAWN BY: M. NEFF DATE: 12/30/2020  
 CHECKED BY: MDN SCALE: 1:4  
 PARTNAME: GENERIC AWNING LEVER OPERATOR APPLICATION

PROJECT: GENERIC WOOD DRAWING NO.: 21207B REVISION: A TITLE: E